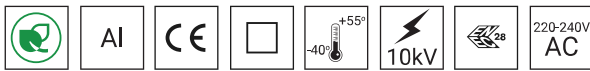




Application	urban roads, residential roads (internal), parks, pedestrians, bicycle routes
Assembly	on extension arms with \varnothing 60 x 90 mm ending
Ingress protection	IP 66 for the optical part and the driver
Material	anodised aluminium alloy
Colour	inox / black
Operating temperature range	from -40°C to $+55^{\circ}\text{C}$
Expected useful lifetime	L90F10 - 50 000 h, L80F20 - 100 000 h
Input voltage frequency	50/60Hz
Power factor	≥ 0.95
Control system	Luminaire has the possibility to connect to an external control system via analog signal 1- 10V.



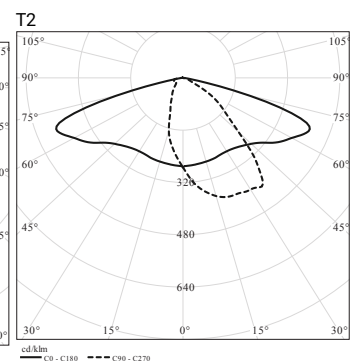
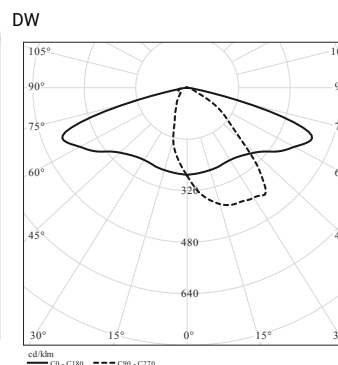
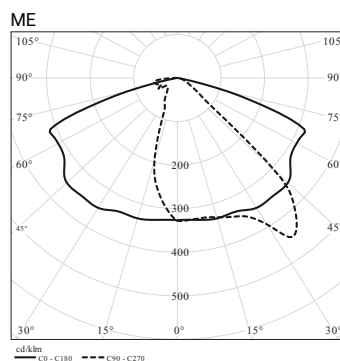
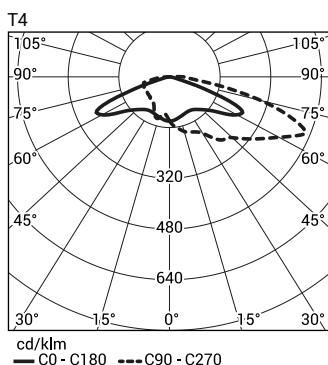
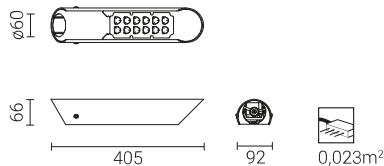
Code	Code	Symbol	LED power	Luminaire Power consumption	LED forward current	Colour temperature (CCT)	LEDs luminous flux ¹	Luminaire luminous flux ¹	Luminous efficacy	Unit volume	Net weight
213230/1	213230/1 /... ²	ISKRA LED 24	27 W	30 W	760 mA	2700 K	4000 lm	3600 lm	120 lm/W	0.005 m ³	2.2 kg
213230/3	213230/3 /... ²	ISKRA LED 24	27 W	30 W	760 mA	3500 K	4150 lm	3750 lm	125 lm/W	0.005 m ³	2.2 kg
213230/4	213230/4 /... ²	ISKRA LED 24	27 W	30 W	760 mA	4000 K	4800 lm	4350 lm	145 lm/W	0.005 m ³	2.2 kg
213230/6	213230/6 /... ²	ISKRA LED 24	27 W	30 W	760 mA	5000 K	4800 lm	4350 lm	145 lm/W	0.005 m ³	2.2 kg
213232/1	213232/1 /... ²	ISKRA LED 36	36 W	39.5 W	960 mA	2700 K	4800 lm	4400 lm	111 lm/W	0.005 m ³	2.2 kg
213232/3	213232/3 /... ²	ISKRA LED 36	36 W	39.5 W	960 mA	3500 K	5000 lm	4650 lm	118 lm/W	0.005 m ³	2.2 kg
213232/4	213232/4 /... ²	ISKRA LED 36	36 W	39.5 W	960 mA	4000 K	5900 lm	5500 lm	139 lm/W	0.005 m ³	2.2 kg
213232/6	213232/6 /... ²	ISKRA LED 36	36 W	39.5 W	960 mA	5000 K	5900 lm	5500 lm	139 lm/W	0.005 m ³	2.2 kg

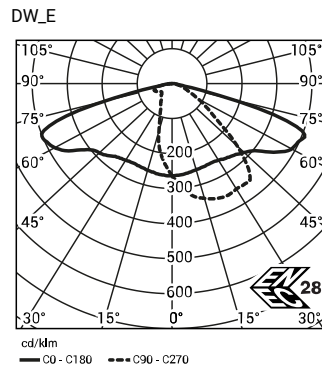
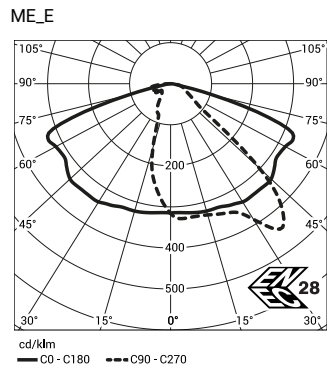
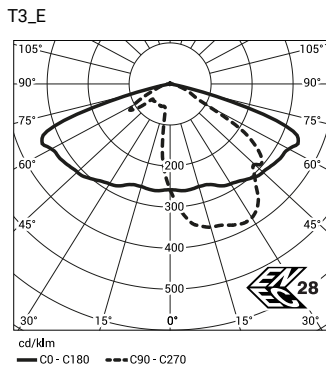
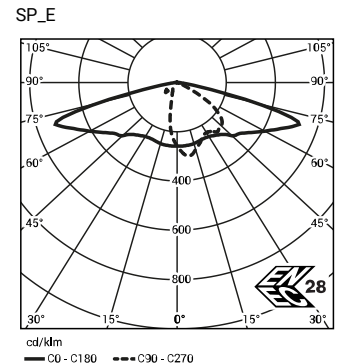
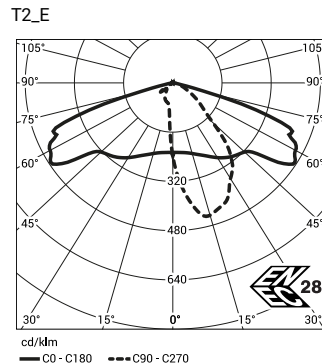
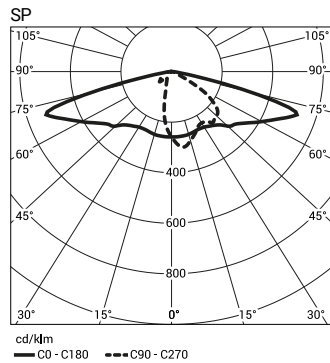
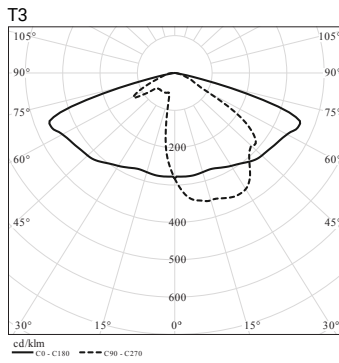
- 1) ze względu na klasę dokładności diod tolerancja wartości wynosi +/- 7%
- 2) symbol wybranego układu optycznego np. 21323/T2 to oprawa ISKRA LED z układem optycznym T2
- 3) Certyfikat ENEC ważny w przypadku stosowania optyk T2_E, T3_E, ME_E, SP_E i DW_E

: 2014/35/UE (Official Journal of the UE L 96/357 29.03.2014), 2014/30/UE (Official Journal of the UE L 96/79 29.03.2014), 2011/65/UE, 2009/125/EC

In order to efficient discharge the electrostatic charge from the housing of LED fitting installed on the pole from dielectric material (non-conductive) one of the following solutions is required (for more information visit: www.rosa.pl/en/knowledge/LED-lighting):

- functional grounding
- LED luminaire with an additional protection device





Oprawa opcjonalnie posiada możliwość podłączenia do zewnętrznego systemu sterowania poprzez interfejs 1-10V.

Standardowe funkcje inteligentnego układu zasilającego posiadają oprawy ISKRA LED PROG i ISKRA LED ALFA PROG

Overcurrent switches MCB type B or C

Luminaire	Typ	2A	4A	6A	10A	16A	20A	25A
ISKRA LED	B	1	3	4	7	12	15	18
	C	1	5	7	12	20	24	31

Fuse - type gG and GL

Luminaire	2A	4A	6A	10A	16A	20A	25A
ISKRA LED	0	4	8	11	21	29	42